

iCONN Systems  
 FIELD ATTACHABLE CONNECTOR  
 INSTRUCTION SHEET

DOC# 9LZ-47 / SOLDER CONTACTS, rev A

iCONN Systems  
 FIELD ATTACHABLE CONNECTOR  
 INSTRUCTION SHEET

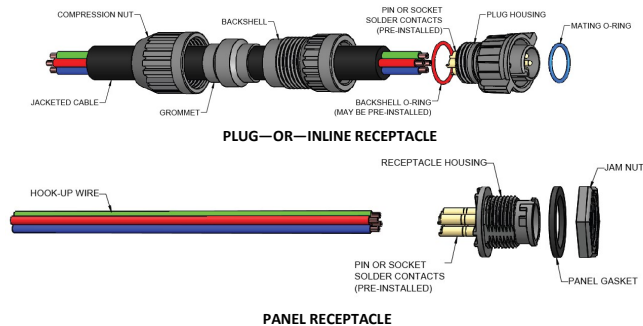
DOC# 9LZ-47 / SOLDER CONTACTS, rev A

CONNECTOR ASSEMBLY INSTRUCTIONS

1. STRIP CABLE PER DETAIL A.
2. SOLDER WIRES TO PRE-INSTALLED CONTACTS.

NOTE: EXCESSIVE HEAT FROM SOLDERING CAN DAMAGE CONNECTOR.  
 USE ONLY APPROPRIATE AMOUNT OF HEAT TO ACHIEVE PROPER  
 SOLDER JOINTS.

3. ASSEMBLE CONNECTOR AS SHOWN BELOW:

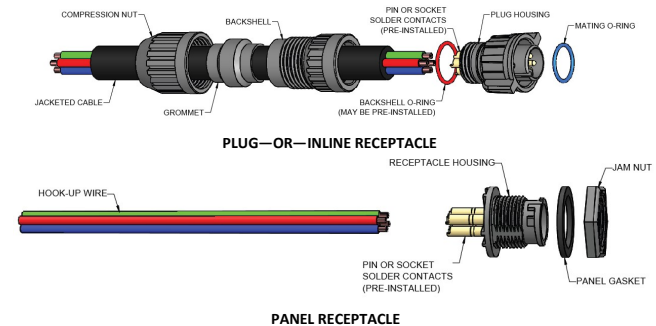


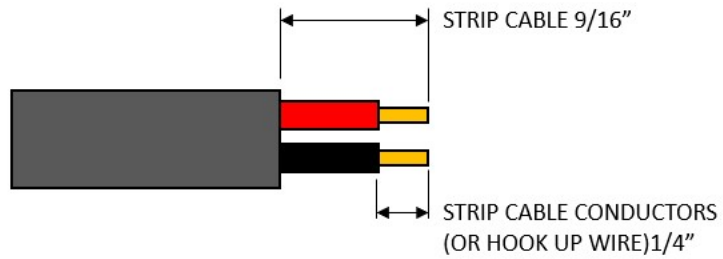
CONNECTOR ASSEMBLY INSTRUCTIONS

1. STRIP CABLE PER DETAIL A.
2. SOLDER WIRES TO PRE-INSTALLED CONTACTS.

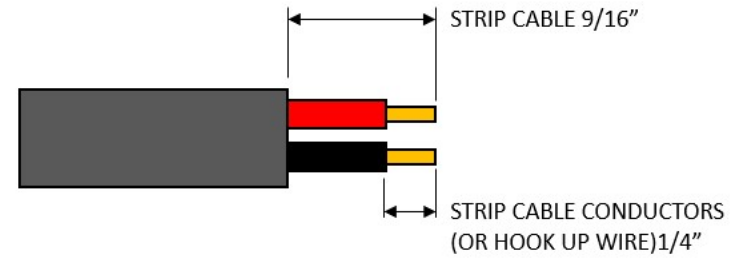
NOTE: EXCESSIVE HEAT FROM SOLDERING CAN DAMAGE CONNECTOR.  
 USE ONLY APPROPRIATE AMOUNT OF HEAT TO ACHIEVE PROPER  
 SOLDER JOINTS.

3. ASSEMBLE CONNECTOR AS SHOWN BELOW:



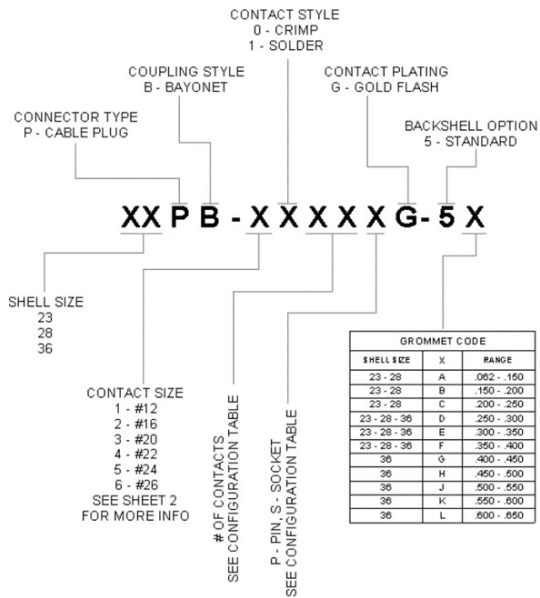


**DETAIL A**



**DETAIL A**

**iMATE PART NUMBER CODE LOGIC**



**iMATE PART NUMBER CODE LOGIC**

