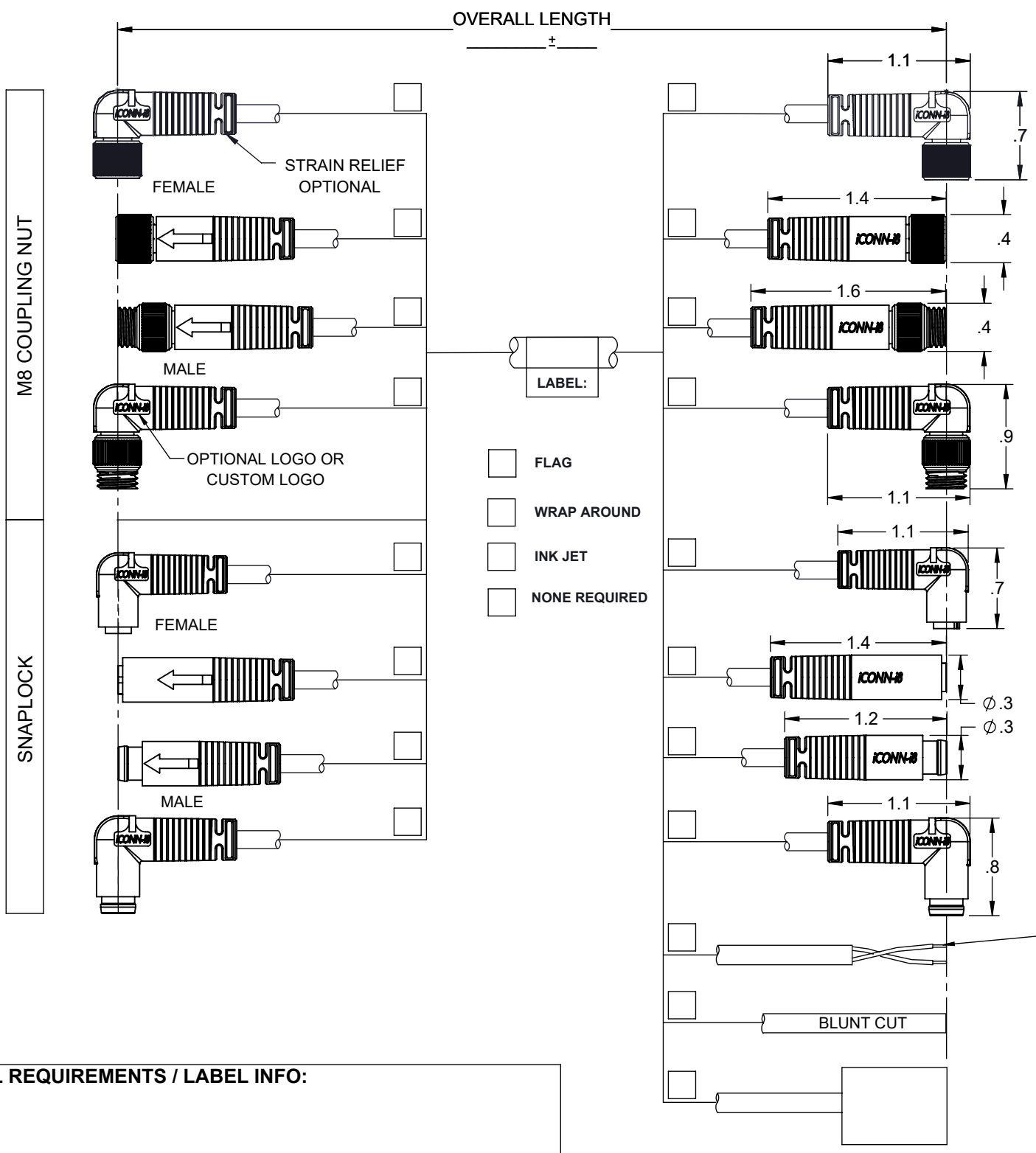
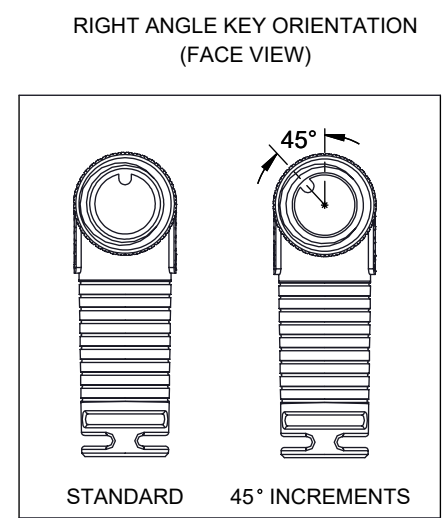


STANDARD TOLERANCES	
OVERALL LENGTH	TOLERANCE
< 6"	+/- .25"
6" - 11"	+/- .50"
11" - 23"	+/- 1"
2.00' - 7.99'	+/- 2"
8.00' - 10.99'	+/- 3"
11.00' - 19.99'	+/- 4"
20.00' - 25.99'	+/- 6"
26.00' - 50.99'	+/- 8"
51.00' - 75.99'	+/- 10"
76.00' - 100.00'	+/- 12"
> 100.00'	+/- 1%

NOTE: TIGHTER TOLERANCES MAY REQUIRE SPECIAL FIXTURING AT ADDITIONAL COST



CABLE END PREP:

- JACKET STRIP ±
- WIRE STRIP ±
- SLUG: YES NO
- TIN: YES NO

SECONDARY INTERCONNECTION	
MFG	P/N

CABLE SPECIFICATION	
CABLE MFG / PART #:	
FILL OUT BELOW IF <u>NO</u> CABLE MFG OR PART #:	
JACKET COLOR:	
JACKET MATERIAL:	
CONDUCTOR SIZE:	
STRANDING:	
TINNED/BARE:	
# OF CONDUCTORS:	
CONDUCTOR INSULATION:	
SHIELD:	
DRAIN:	
VOLTS:	
UL:	
CSA:	
OTHER:	

SPECIAL REQUIREMENTS / LABEL INFO:	
OVERMOLD:	
OVERMOLD MATERIAL:	I.P. RATING: _____
OVERMOLD COLOR:	UV RESIST: - YES / NO
PACKAGING SPECS:	
1. IF LENGTH IS < 3FT. CABLE IS BUNDLED	
2. IF LENGTH IS > 3FT. CABLE IS COILED WITH I.D. =5" (UNLESS OTHERWISE SPECIFIED)	
3. MISC:	

ALL DIMENSIONS ARE SPECIFIED IN:
IN [MM]

TOLERANCES UNLESS OTHERWISE SPECIFIED:
ENGLISH .XX = ±.02 IN .XXX = ±.010 IN
METRIC .X = ±.2 MM .XX = ±.10 MM

FRACTIONAL = ±1/64" ALL ANGLES = ±5°

THIRD ANGLE PROJECTION

CONFIDENTIALITY NOTICE

THIS DRAWING CONTAINS CONFIDENTIAL INFORMATION AND IS SUPPLIED BY ICONN SYSTEMS, LLC. THE OWNER OF SUCH INFORMATION. IN ACCEPTING THIS DRAWING, THE USER AGREES THAT IT IS FOR THE USER'S SOLE USE, THAT IT WILL NOT BE REPRODUCED OR DISTRIBUTED TO OTHERS, AND THAT THE INFORMATION CONTAINED THEREIN WILL NOT BE USED IN ANY MANNER DETRIMENTAL TO ICONN SYSTEMS.

DESIGNED BY: X.XXXXX	DATE: XX-XX-XX
DESIGN APPROVED BY: X.XXXXX	DATE: XX-XX-XX
DRAFTED BY: A. HERNANDEZ	DATE: 01-04-23
CHECKED BY: E. FREEMON	DATE: 01-04-23
SIZE B	DO NOT SCALE THIS DRAWING
DRAWING SCALE: 8:1	

iconn an R2M co. SYSTEMS, LLC
1110 N. GARFIELD ST. LOMBARD, IL 60148
TEL: (630) 827-6000 FAX: (630) 827-6006
ICONNSYSTEMS.COM

DRAWING TITLE:
i8 SALES OPTIONS

DRAWING NUMBER:
i8 TEMPLATE

DRAWING TYPE: SALES SHEET: 1 OF 2

REV. **A**

INSERT FACE VIEWS

CONFIGURATIONS CONDUCTOR SIZE 20 - 24 AWG

# OF POLES	2 POLE (PIN / SOCKET)	3 POLE (PIN / SOCKET)	4 POLE (PIN / SOCKET)
FEMALE FACE VIEW (MALE IS REVERSE)			
END A/B			
PIN/SOCKET			

CONFIGURATIONS CONDUCTOR SIZE 24 - 26 AWG

# OF POLES	4 POLE (PIN / SOCKET)	5 POLE (PIN / SOCKET)	6 POLE (PIN / SOCKET)
FEMALE FACE VIEW (MALE IS REVERSE)			
END A/B			
PIN/SOCKET			

WIRE COLOR CODE END "A"					
1	2	3	4	5	6

WIRE COLOR CODE END "B"					
1	2	3	4	5	6

CONNECTOR CHECKLIST:

PAGE 1

- END A STYLE SELECTION
- END B STYLE SELECTION
- LABEL
- STRIP/TIN/SLUG
- OTHER INTERCONNECT
- CABLE SPECIFICATIONS
- OVERMOLD MATERIAL / COLOR / UV

PAGE 2

- END A PINOUT
- END A GENDER
- END B PINOUT (IF APPLICABLE)
- END B GENDER (IF APPLICABLE)
- WIRING TABLE

WIRING TABLE LEGEND:
N/T = NOT TERMINATED, N/C = NO CONTACT, M/C = MOLDED CLOSED

ALL DIMENSIONS ARE SPECIFIED IN: IN [MM]		DESIGNED BY: X.XXXXXX	DATE: XX-XX-XX	 1110 N. GARFIELD ST. LOMBARD, IL 60148 TEL: (630) 827-6000 FAX: (630) 827-6006 ICONNSYSTEMS.COM
TOLERANCES UNLESS OTHERWISE SPECIFIED: ENGLISH .XX = ±.02 IN .XXX = ±.010 IN METRIC .X = ±.2 MM .XX = ±.10 MM FRACTIONAL = ±1/64" ALL ANGLES = ±5°		DESIGN APPROVED BY: X.XXXXXX	DATE: XX-XX-XX	
CONFIDENTIALITY NOTICE THIS DRAWING CONTAINS CONFIDENTIAL INFORMATION AND IS SUPPLIED BY ICONN SYSTEMS, LLC, THE OWNER OF SUCH INFORMATION. IN ACCEPTING THIS DRAWING, THE USER AGREES THAT IT IS FOR THE USER'S SOLE USE, THAT IT WILL NOT BE REPRODUCED OR DISTRIBUTED TO OTHERS, AND THAT THE INFORMATION CONTAINED THEREIN WILL NOT BE USED IN ANY MANNER DETRIMENTAL TO ICONN SYSTEMS.		DRAFTED BY: A. HERNANDEZ	DATE: 01-04-23	DRAWING TITLE: i8 SALES OPTIONS
SIZE B	DO NOT SCALE THIS DRAWING	CHECKED BY: E. FREEMON	DATE: 01-04-23	DRAWING NUMBER: 18 TEMPLATE
		DRAWING SCALE: 8:1	DRAWING TYPE: SALES	SHEET: 2 OF 2
				REV. A